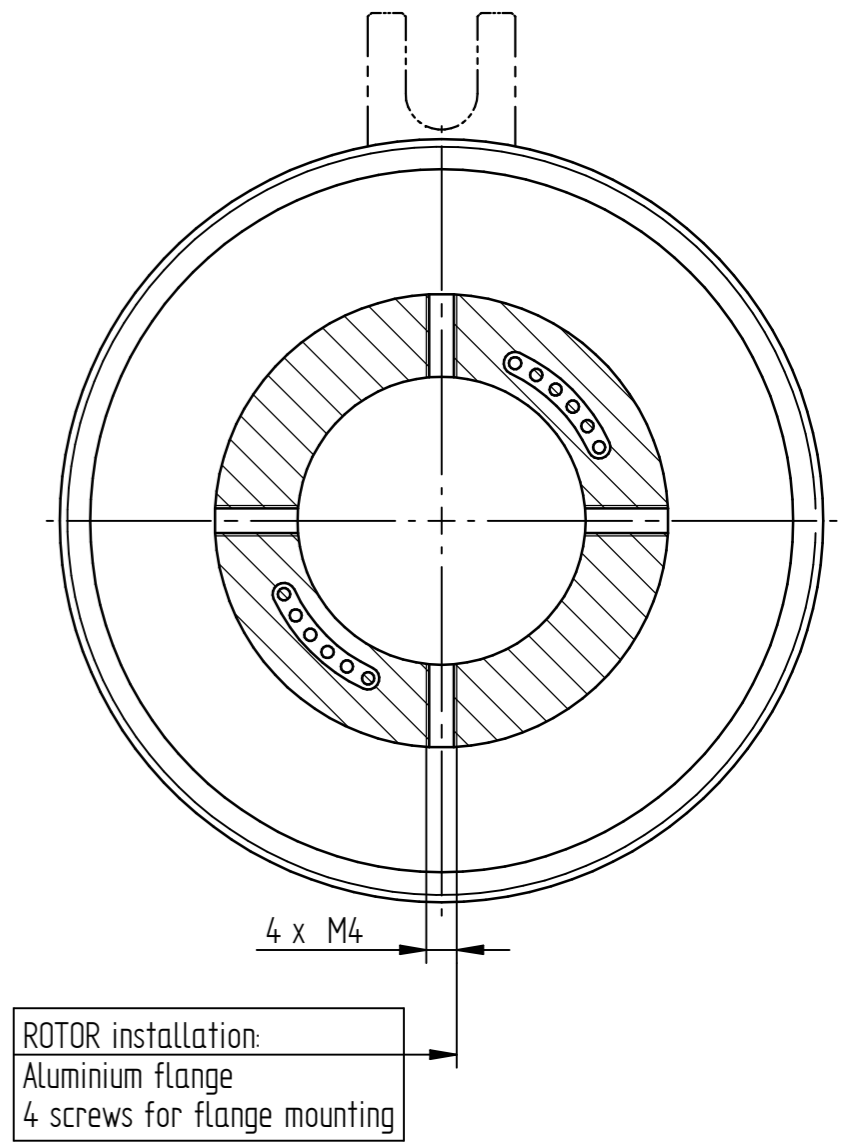
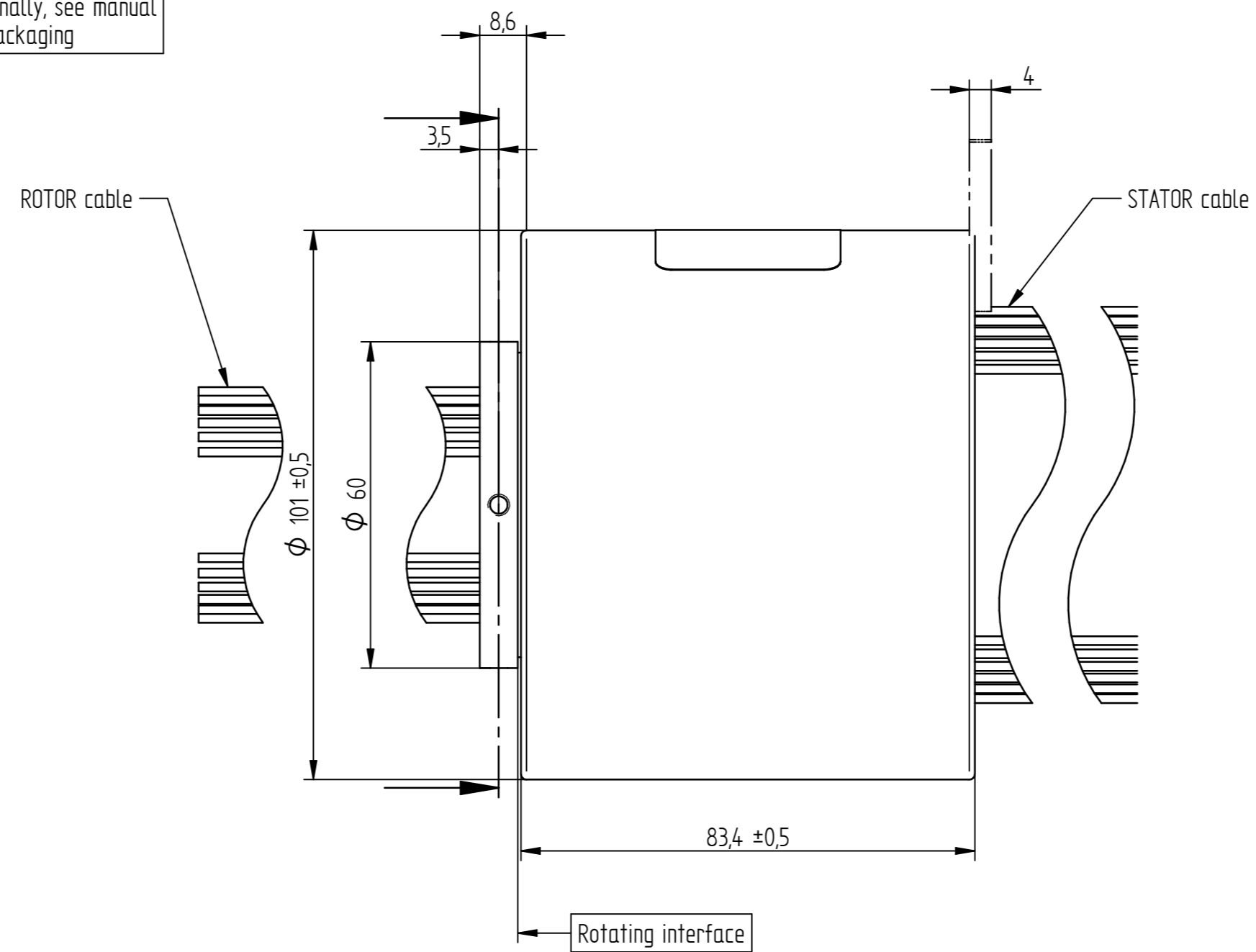


STATOR installation:  
Anti-rotation tab to be mounted optionally, see manual  
Anti-rotation tab is enclosed in the packaging



ROTOR installation:  
Aluminium flange  
4 screws for flange mounting

Wiring diagramm see sheet 2

Die Montageanleitung 7BC000000 wird elektronisch bereitgestellt.  
The assembly instruction 7BC000000 is provided in electronic format.

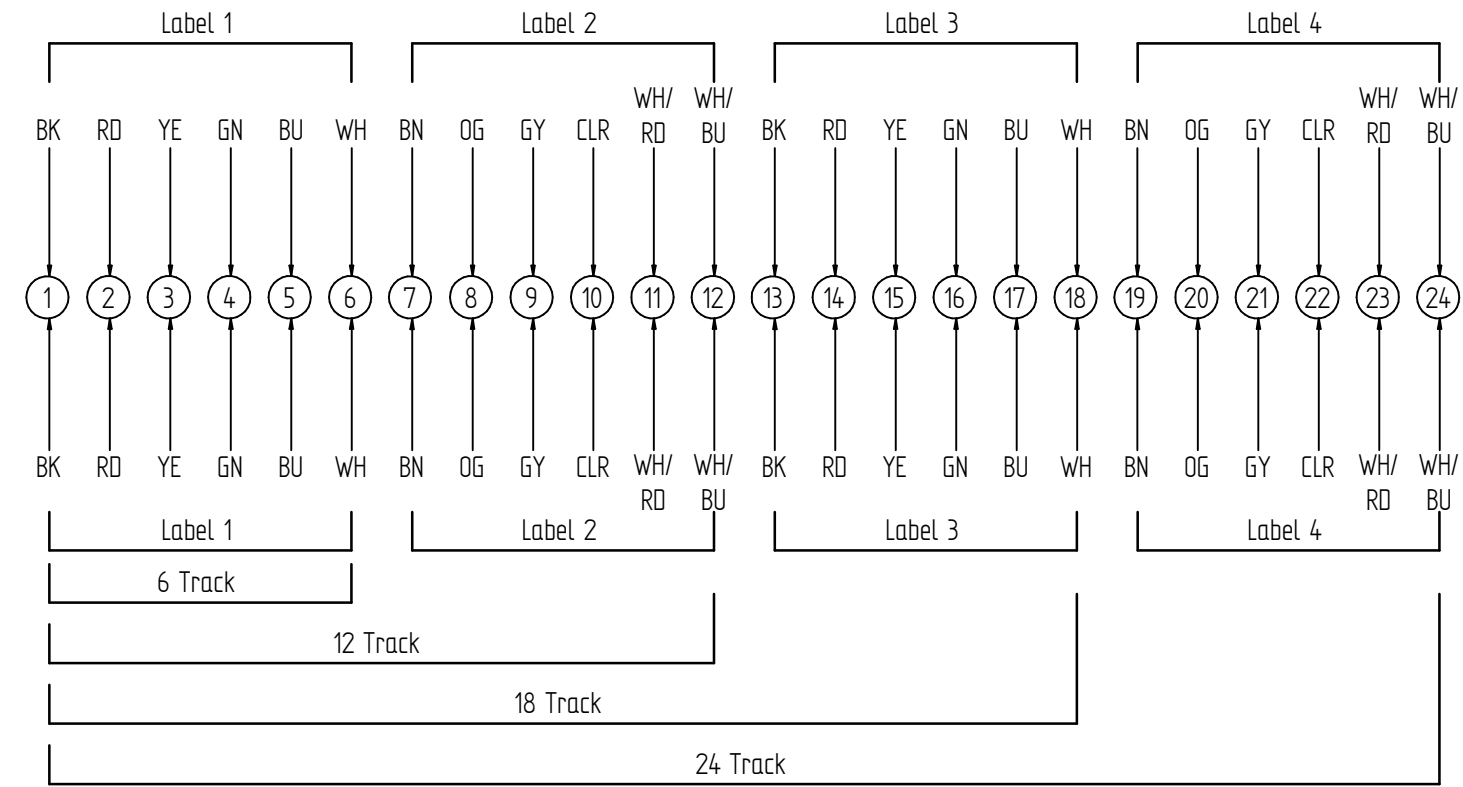
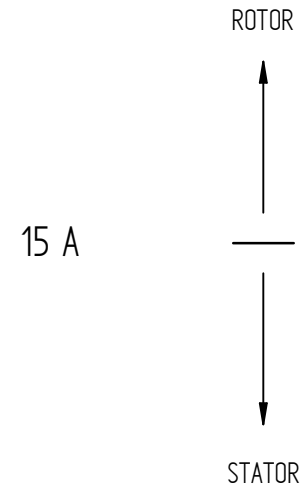
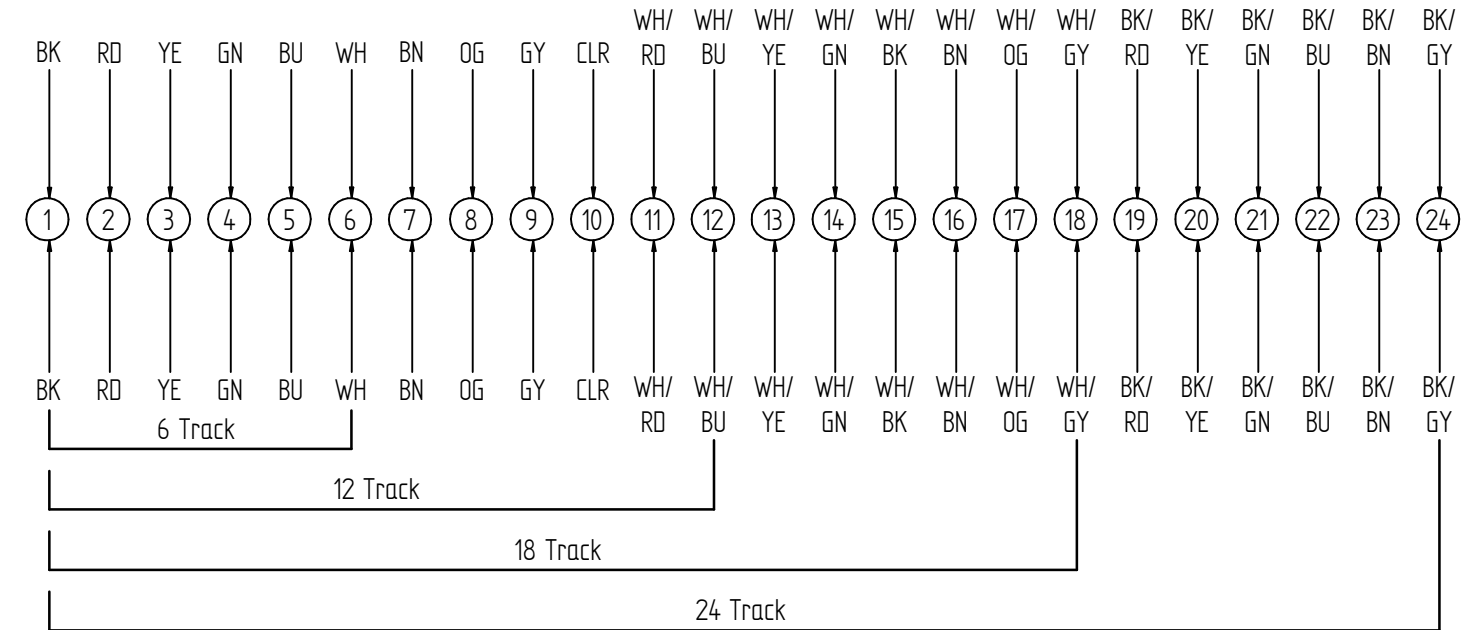
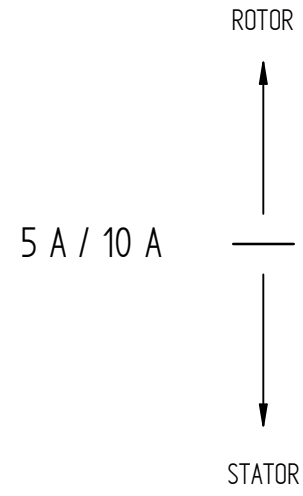
ELECTRONIC & ELECTRIC		MECHANICAL	
Rating Voltage	250 V AC / DC or 400 V AC	Working Speed	300 rpm max.
		Inner Diameter	Ø 38,1
		Contact Material	Precious Metals
Current	15 A	Lead Wire Length	STATOR: 250 mm ROTOR: 250 mm
Track	12	/	/
Insulation Resistance	500 MΩ @ 500 V DC	/	/
ENVIRONMENT		REMARKS	
Working Temperature	-20 °C to +60 °C	Application	see Manual
Working Humidity	≤ 60 % RH	Other	/
Protection Class	IP50	Note:	/

10	1	70C000018	Maverick Schleifring 12-Weg 15A		
Pos.	Anz.	Mat.Nr.	Kurztext	GroÙe/Abmessung	Werkstoff
1	2	3	4	5	6
DIN ISO 5456-2		TOLERANCES		DIN ISO 13715	
ISO 2768 - mH		+0,3 +0,1		-0,1 -0,3	
STANDARDS		DWG NO		REVISION	
ISO 8015 ISO 14405		7KC000018		A1	
SCHLEIFRING		Beschreibung		CHANGE NO	
		Maverick Slip Ring 12-Track 15A		200120151	
		DESCRIPTION		DOCUMENT TYPE	
		Maverick Slip Ring 12-Track 15A		Kundenzeichnung	
		SIZE/DIM		SHEET	
		Draft: 1000955310/D02/000/03		1/2	
		Modell: 1000955310/D00/000/03		A2	

All parts and components shown in this document are originally created and developed at Schleifring GmbH Germany and a private or a civil application. Any customization has no impact on origin and export classification.

All drawings are the property of Schleifring GmbH/ Germany and are to be treated as confidential. The reproduction, distribution and utilization as well as the communication of its contents to others without express authorization is prohibited. Offenders will be held liable for the payment of damages. All rights reserved in the event of the grant of a patent, utility model or design.

Cable Table	
Current	Cable
5 A / Signal	AWG17
10 A	
15 A	AWG14



DIN ISO 5456-2 	TOLERANCES ISO 2768 - mH	DIN ISO 13715 	FINISH MATERIAL	SCALE 1:1	REFERENCE 2
	STANDARDS ISO 8015 ISO 14405		DWG NO <b>7KC000018</b>	REVISION <b>A1</b>	WEIGHT 0,001 kg
Beschreibung <b>Maverick Schleifring 12-Weg 15A</b> DESCRIPTION <b>Maverick Slip Ring 12-Track 15A</b>			CHANGE NO <b>200120151</b>		SHEET <b>2/2</b>
			DOCUMENT TYPE <b>Kundenzeichnung</b>		